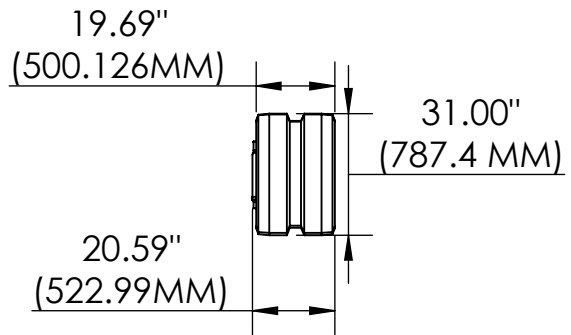


# CTS - 128R



MOTOR	OPEN LOOP	GPM PER MOTOR	GEAR RATIO	MAX GVW	MPH
5B	2 SPEED / W BRAKE	21 @ 3500 PSI	64.25 : 1	20,000 LBS	L 1.54 / H 3.07
709 C3 BONFIG				40,000LBS	