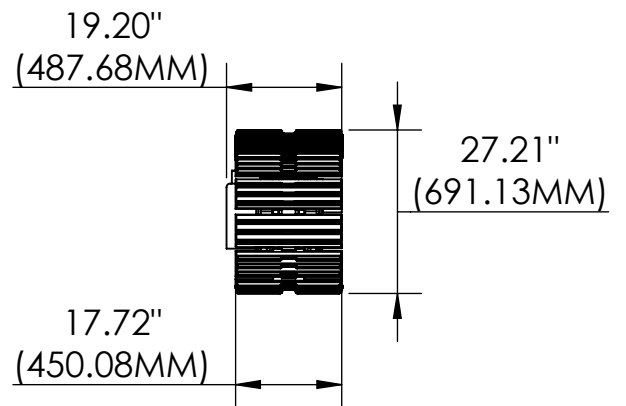


CTS - 115S



SPECIFICATIONS

| MOTOR | OPEN LOOP | GPM PER MOTOR | GEAR RATIO | MAX GVW | MPH |
|-------|-------------------|---------------|------------|------------|-----------------|
| 5B | 2 SPEED / W BRAKE | 21 @ 4500 PSI | 64.25 : 1 | 20,000 LBS | L 1.91 / H 3.83 |