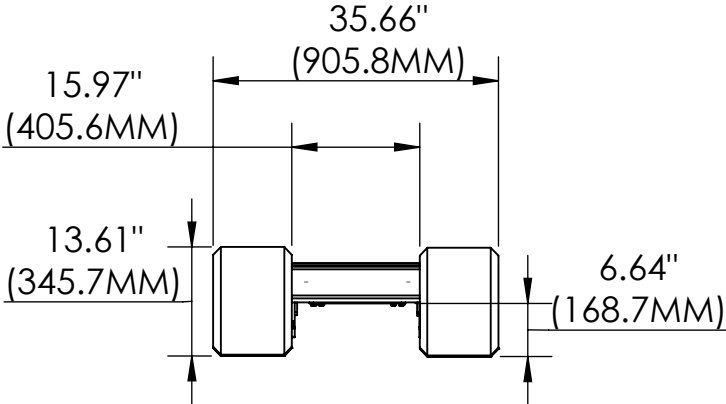
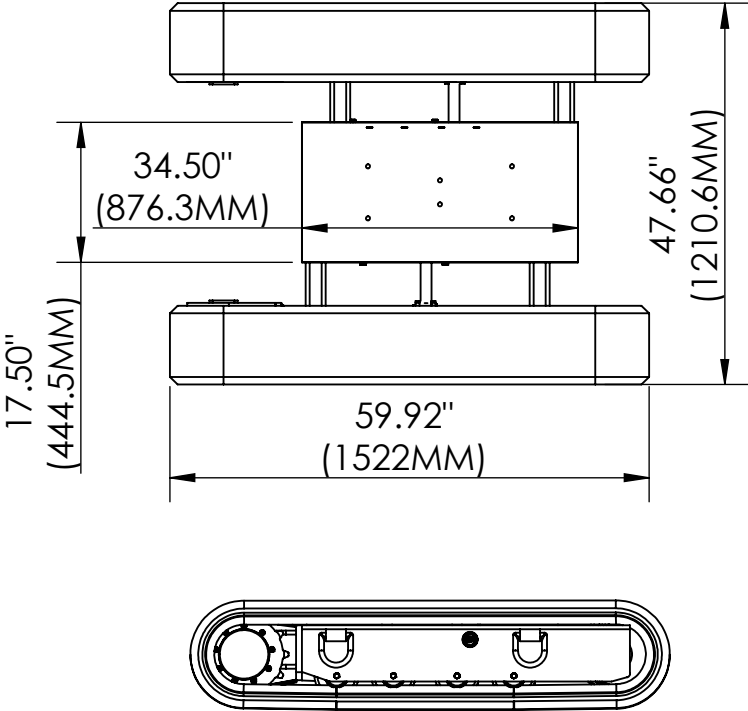


CTS - 60RE



SPECIFICATIONS

MOTOR	OPEN LOOP	GPM PER MOTOR	GEAR RATIO	MAX GVW	MPH
1B	1 SPEED / W BRAKE	5 @ 3000 PSI	36.96 : 1	3000 LBS	1.15
2B	2 SPEED / W BRAKE	8.5 @ 3000 PSI	39 : 1	5000 LBS	L 1.37 / H 2.48