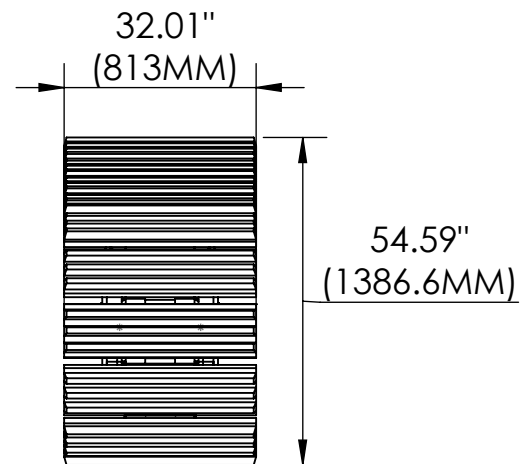
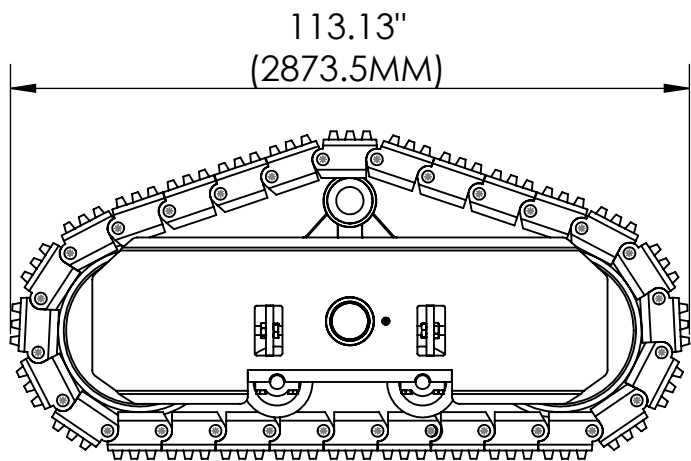


CTS - 50TS



SPECIFICATIONS

MOUNTING AXLE DIA	MAX GVW
6" (152.4 MM)	100,000 LBS