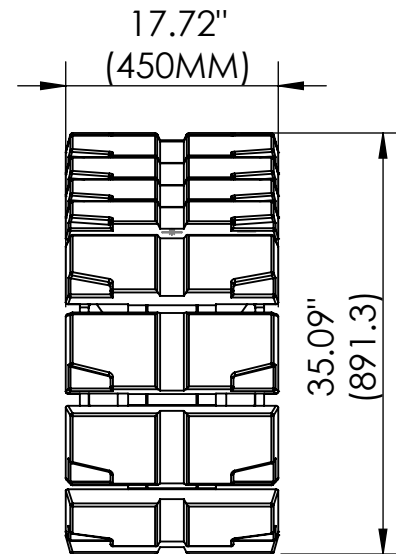
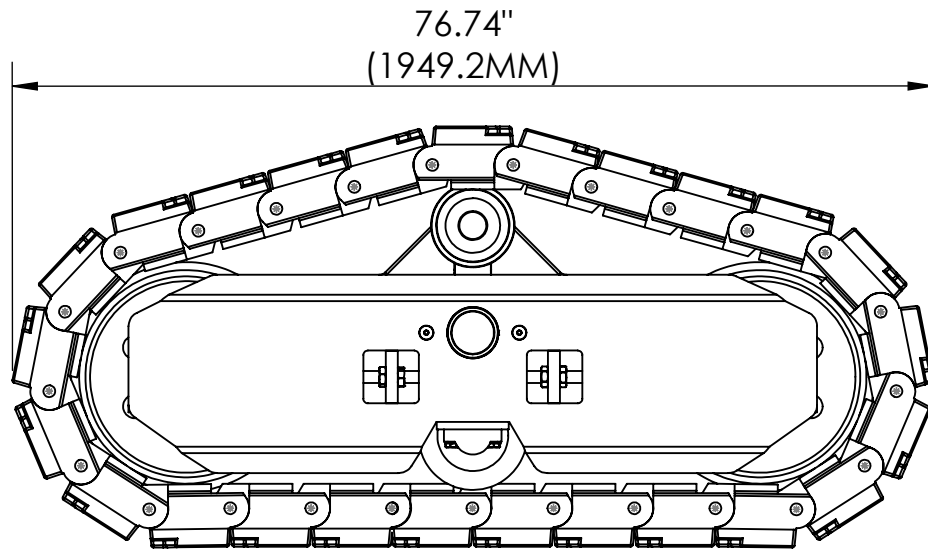


CTS - 15TS



SPECIFICATIONS

MOUNTING AXLE DIA	MAX GVW
3.5" (88.9MM)	30,000 LBS